

Square Glass Refrigerated Double Duty Deli Case - Black

SKU: 70000-210 70000-212 70000-214



Sleek Display and Practical Storage in One Unit

Ideal for everything from cozy coffee shops to large-scale catering events, this unit offers a stylish way to showcase your products while providing a conveniently located storage area for easy stock replenishment. Its modern, streamlined design enhances product presentation, ensuring both functionality and visual appeal.

FEATURES:

- Durable Construction:**
 Built with a sturdy tempered glass front and full aluminum frame, this unit ensures long-lasting performance and a reliable investment
- Attractive Display:**
 Bright LED lighting enhances visibility, making products stand out to attract customers and boost sales
- Gravity Coil Refrigeration:**
 Maintains product freshness without circulating air, preventing items from drying out. Uses eco-friendly R290 refrigerant with zero ozone depletion potential

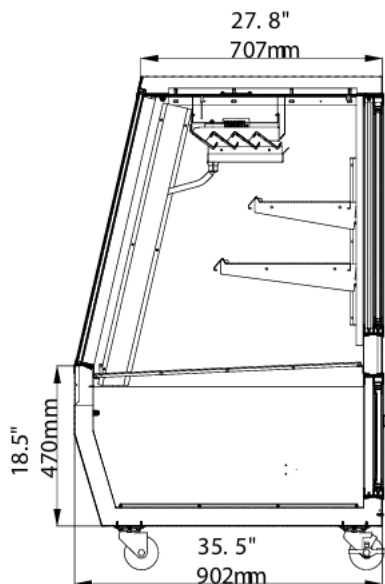
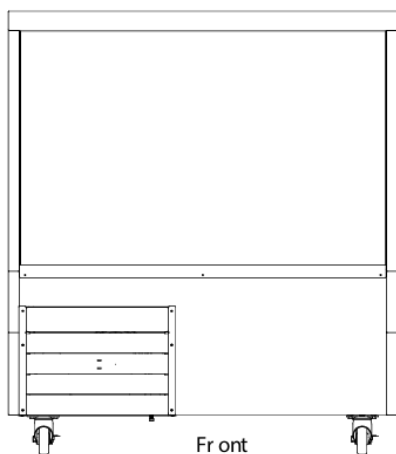
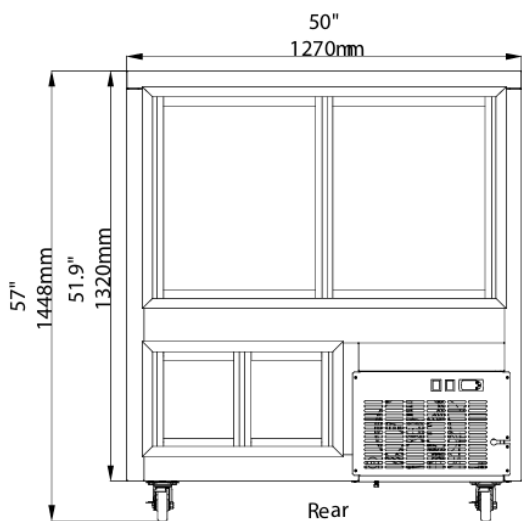
2 YEARS
WARRANTY
 PARTS & LABOUR
5 YEARS ONLY
ON COMPRESSOR

NEMA
 5 - 15P
 125VAC / 15 AMP



Made in China

TECHNICAL DRAWING

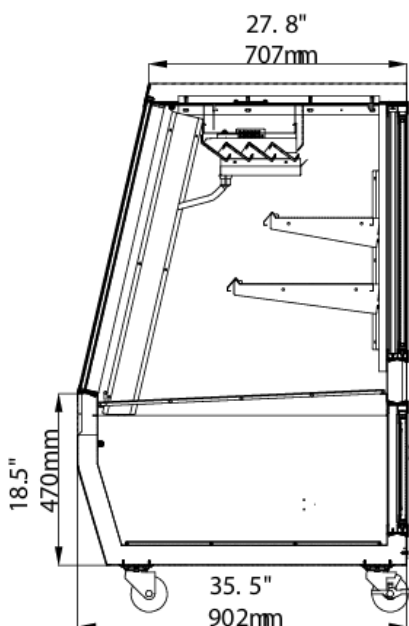
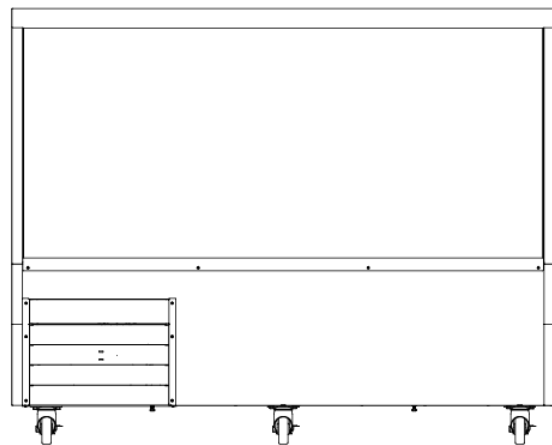
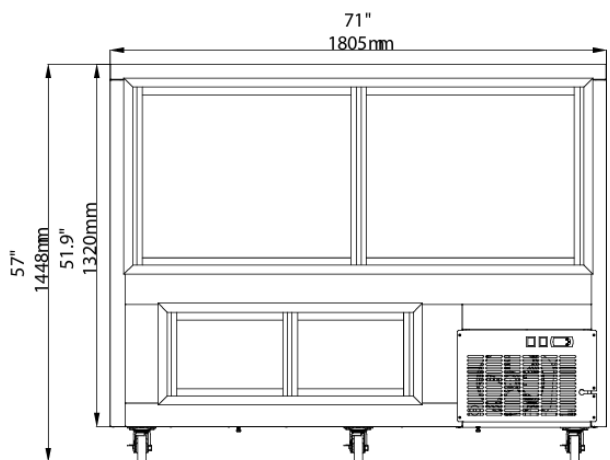


TECHNICAL SPECIFICATION

SKU	70000-210
Capacity (Main)	20.58 cu.ft. 583L
Capacity (Storage)	6.14 cu.ft. 174L
Maximum Load	88 lbs. 40 kg.
Number of Doors	2 Sliding Doors
Number of Shelves	3
Shelf Capacity	88 lbs. 40 kg.
Shelf Size	Racks (2): 31" x 22" 785 x 555 mm Bottom Shelf (1): 28" x 24" 700 x 620 mm
Shelf Material	Galvanized Wire
Interior Material	Aluminum
Exterior Material	Aluminum / Tempered Glass
Power	0.8 HP 518W
Amps	4.4A
Electrical	115V / 60Hz / 1Ph
Temperature Controller	Digital
Temperature Range	33°F to 40°F 0.55°C to 4.4°C
Refrigerant	R290
Max. Ambient Temp.	90°F 32°C
Insulation Material	Polyurethane
Defrosting	Automatic
Cooling System	Gravity Coil
Interior Dimensions (WDH)	46" x 31" x 48" 1160 x 792 x 1210 mm
Net Dimensions (WDH)	50" x 36" x 57" 1270 x 902 x 1446 mm
Net Weight	309 lb. 140 kg.
Gross Dimensions (WDH)	55" x 41" x 60" 1400 x 1037 x 1525 mm
Gross Weight	423 lb. 192 kg.



TECHNICAL DRAWING

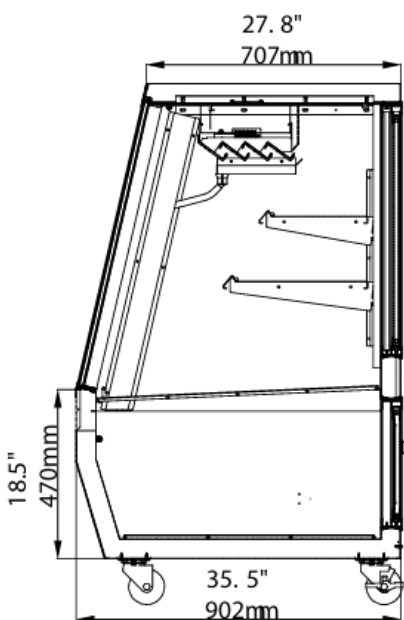
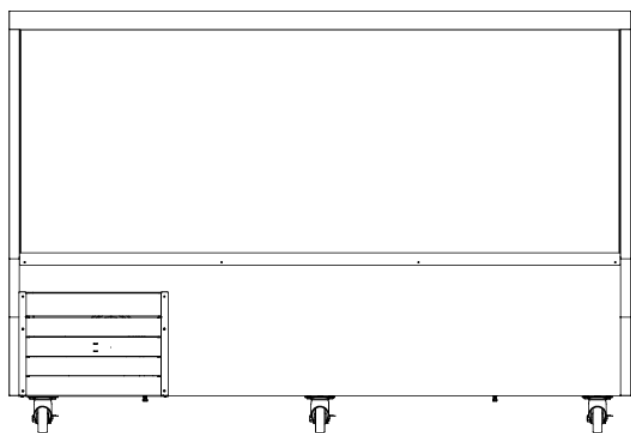
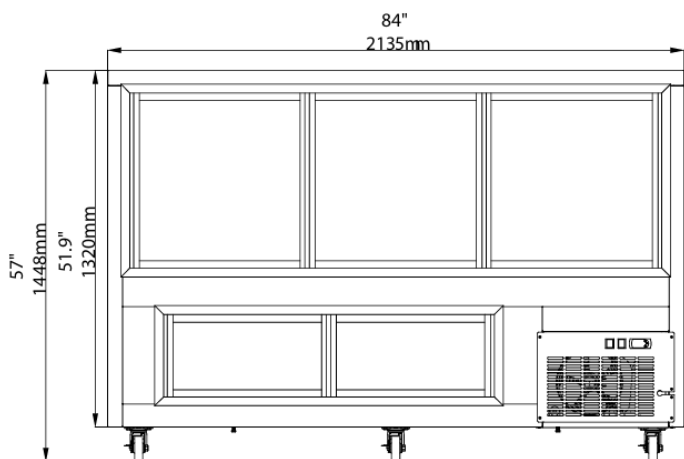


TECHNICAL SPECIFICATION

SKU	70000-212
Capacity (Main)	30.06 cu.ft. 851L
Capacity (Storage)	11.31 cu.ft. 320L
Maximum Load	88 lbs. 40 kg.
Number of Doors	2 Sliding Doors
Number of Shelves	5
Shelf Capacity	88 lbs. 40 kg.
Shelf Size	Racks (2): 31" x 21" 785 x 545 mm Bottom Shelf (1): 28" x 23" 700 x 575 mm
Shelf Material	Galvanized Wire
Interior Material	Aluminum
Exterior Material	Aluminum / Tempered Glass
Power	1 HP 746W
Amps	7.3A
Electrical	115V / 60Hz / 1Ph
Temperature Controller	Digital
Temperature Range	33°F to 40°F 0.55°C to 4.4°C
Refrigerant	R290
Max. Ambient Temp.	90°F 32°C
Insulation Material	Polyurethane
Defrosting	Automatic
Cooling System	Gravity Coil
Interior Dimensions (WDH)	67" x 31" x 48" 1695 x 792 x 1210 mm
Net Dimensions (WDH)	71" x 36" x 57" 1805 x 902 x 1446 mm
Net Weight	419 lb. 190 kg.
Gross Dimensions (WDH)	76" x 41" x 60" 1935 x 1037 x 1525 mm
Gross Weight	562 lb. 192 kg.



TECHNICAL DRAWING



TECHNICAL SPECIFICATION

SKU	70000-214
Capacity (Main)	35.92 cu.ft. 1017L
Capacity (Storage)	14.5 cu.ft. 410L
Maximum Load	88 lbs. 40 kg.
Number of Doors	2 Sliding Doors
Number of Shelves	7
Shelf Capacity	88 lbs. 40 kg.
Shelf Size	Racks (2): 31" x 19" 785 x 490 mm Bottom Shelf (1): 28" x 19" 700 x 490 mm
Shelf Material	Galvanized Wire
Interior Material	Aluminum
Exterior Material	Aluminum / Tempered Glass
Power	1 HP 746W
Amps	10.2A
Electrical	115V / 60Hz / 1Ph
Temperature Controller	Digital
Temperature Range	33°F to 40°F 0.55°C to 4.4°C
Refrigerant	R290
Max. Ambient Temp.	90°F 32°C
Insulation Material	Polyurethane
Defrosting	Automatic
Cooling System	Gravity Coil
Interior Dimensions (WDH)	80" x 31" x 48" 2025 x 792 x 1210 mm
Net Dimensions (WDH)	84" x 36" x 57" 2135 x 902 x 1446 mm
Net Weight	485 lb. 220 kg.
Gross Dimensions (WDH)	89" x 41" x 60" 2265 x 1037 x 1525 mm
Gross Weight	657 lb. 298 kg.

