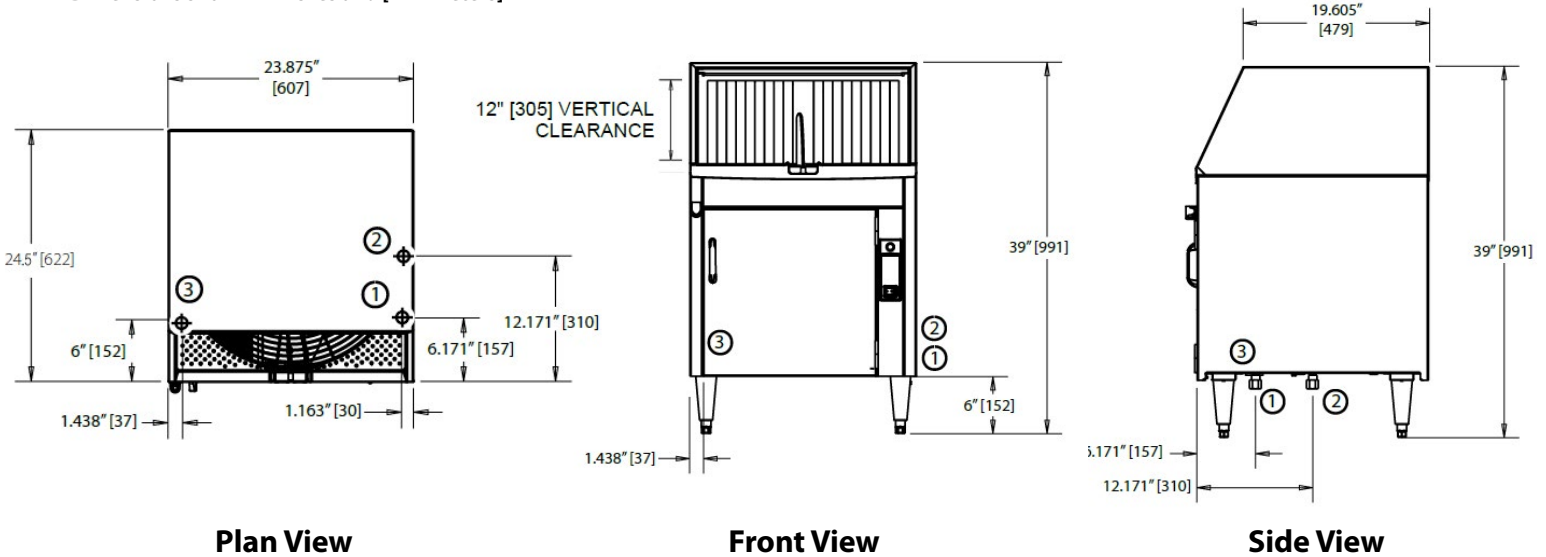


Dimensions shown in inches and [millimeters]



UTILITIES	
	Electrical 230/60/1, 15amp breaker
1	Hot water connection 1/2" [13] IPS. Flow pressure 25-95 psi [172.5-656 kPa]
2	Cold water connection 1/2" [13] IPS. Flow pressure 25-95 psi [172.5-656 kPa]
3	Drain connection (PEAK FLOW RATE 6.5 gpm) 1-1/2" [38] tailpiece. Connect to drain size according to local plumbing code.

NOTE: DF Models supplied with 6 ft. [1829] plug in cord. (NEMA 6-15P)

Warning: Plumbing and electrical connections must be made by qualified personnel who will observe all the applicable plumbing, sanitary and safety codes.

	Uncrated	Crated
Height	39" [991]	46-1/2" [1181]
Width	23-7/8" [607]	27" [685]
Depth	24-1/2" [622]	27-1/2" [698]
Ship Wt. lbs/kg	156/71	176/80
* Adjustable foot height - 1 1/4" [45]		

Moyer Diebel – Canada
 2674 N. Service Rd, Jordan Station, Ontario, Canada L0R 1S0
 (800) 263-5798 • Fax: (905) 562-5422
 mdlcanada.com • sales@moyerdiebellimited.com

Moyer Diebel – USA
 3765 Champion Blvd., Winston-Salem NC 27105
 (800) 228-8350 • Fax: (336) 661-1979
 moyerdiebel.com • info@moyerdiebel.com

TECHNICAL SPECIFICATIONS	
Capacity (hr.) 2-1/2" [64] glasses	1200
Water Consumption Cold water (approx.)	6.06 l/m 1.6 US gpm
Hot water (initial fill)	11.35 liters 3 US gallons
Max use (approx.)	45.42 liters/h 12 US gph
Temperatures Inlet water (hot)	61-69°C 140-160°F
Inlet water (cold)	24°C 75°F
Heating Tank heat, electric	3 kW
Conveyor Movement	Clockwise

* Due to an ongoing value analysis program at Moyer Diebel, specifications in this catalog are subject to change without notice