



**BDO-100-G-ES  
CONVECTION OVEN  
REPLACEMENT PARTS LIST**



**EFFECTIVE OCTOBER 25, 2018**

Superseding All Previous Parts Lists.

The Company reserves the right to make substitution in the event that items specified are not available.

ERRORS: Descriptive and/or typographic errors are subject to correction.

---

**BLODGETT OVEN COMPANY**

42 Allen Martin Drive, Essex Junction, Vermont 05452 USA Telephone: (802) 658-6600 Fax: (802) 860-3732  
[www.blodgett.com](http://www.blodgett.com)

*P/N 57941 Rev P*

## **SERIAL NUMBER LOCATION / KEY:**

***IMPORTANT: When ordering parts, please provide the model, gas type and serial number of the oven. The rating plate is located behind the control panel. The oven serial number is located on the top of the right hand side of the oven.***

### **SERIAL NUMBER BREAKDOWN**

**010114CI001X**

**01/01/14 = DATE**

**CI = LETTER CODE FOR BDO-100-G-ES**

**001 = FACTORY SEQUENCE**

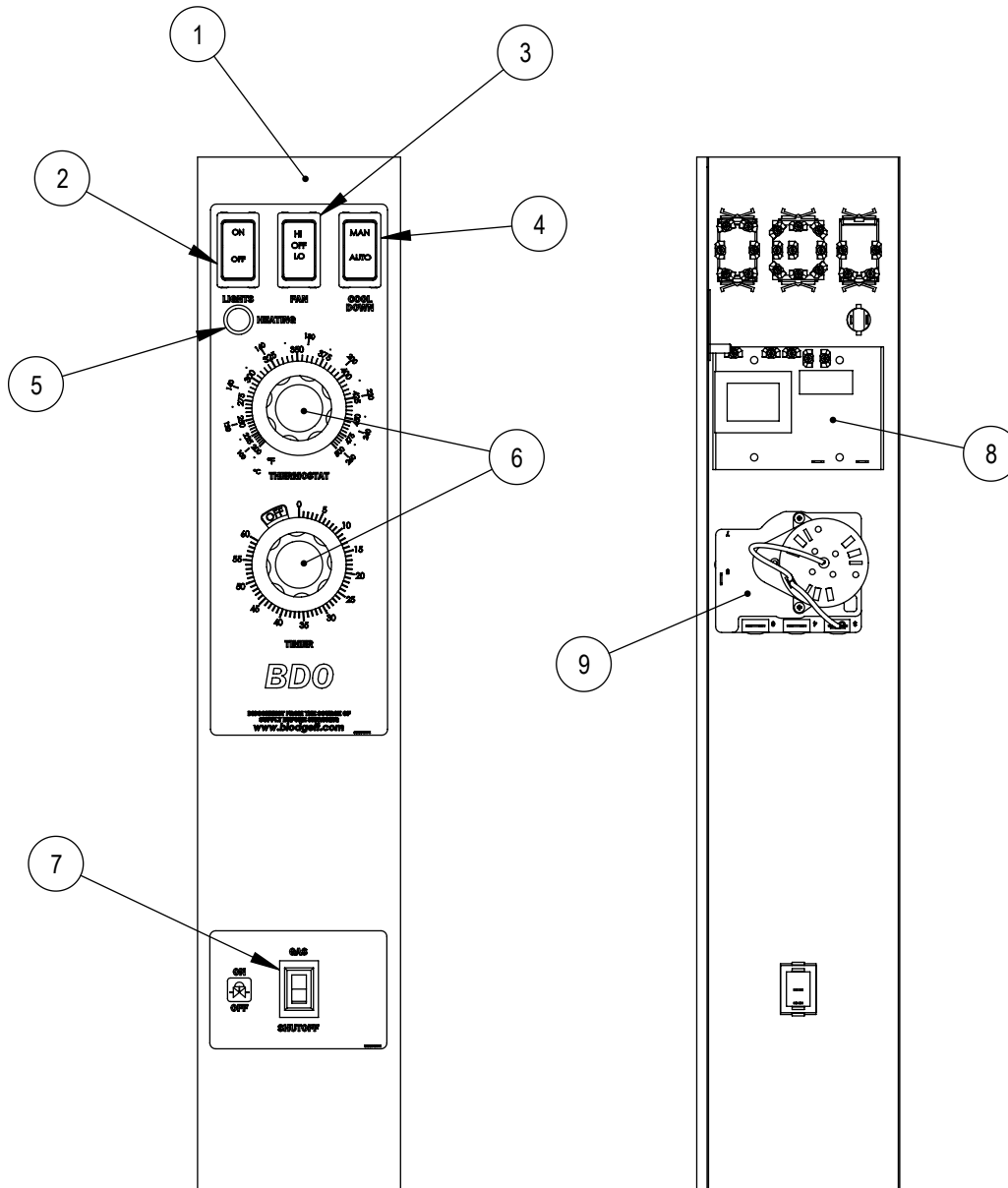
**X = SECTION ID (T for top, B for bottom)**

# TABLE OF CONTENTS

◆ **Doors Are Not Returnable**

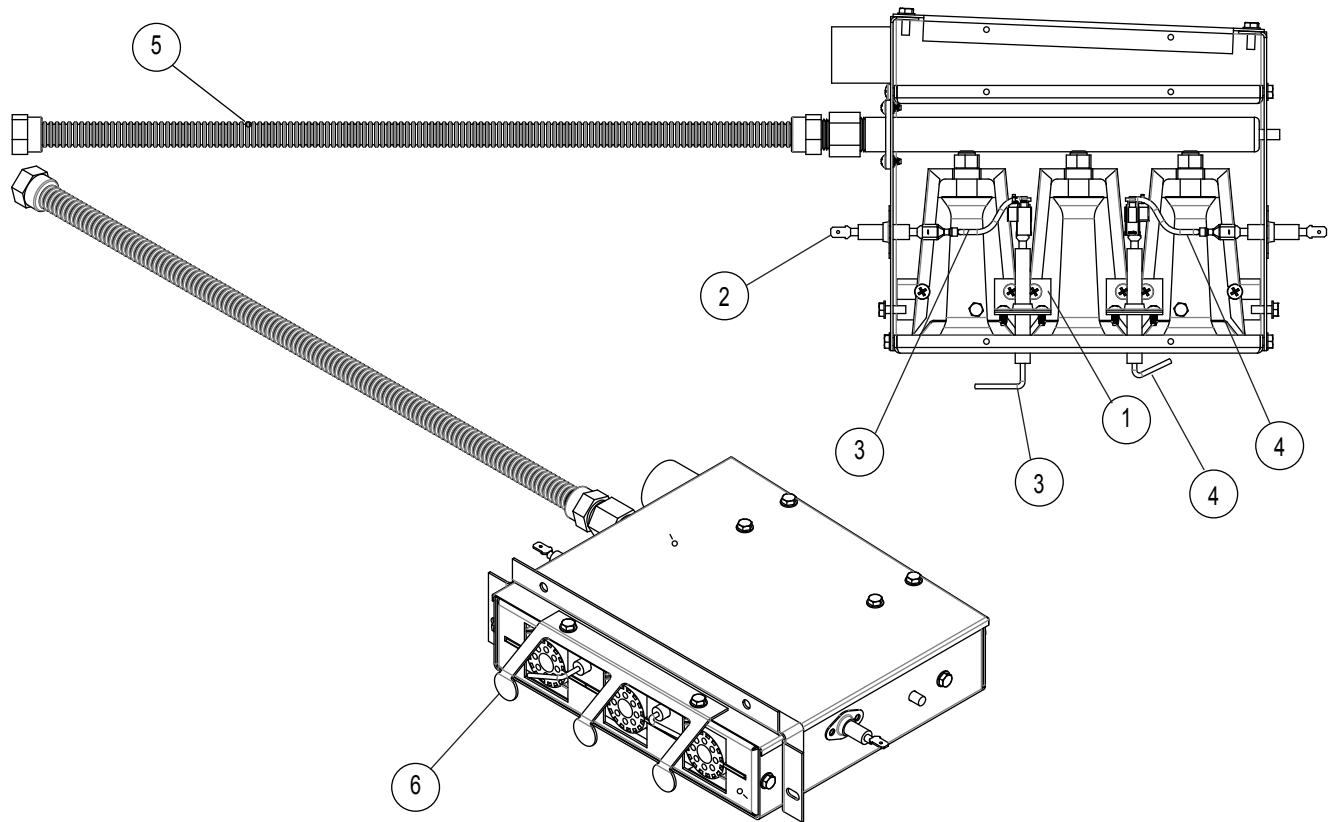
SSM CONTROL COMPONENTS .....	4
BURNER COMPONENTS .....	5
ELECTRICAL PANEL COMPONENTS .....	6
INTERIOR HEAT SYSTEM COMPONENTS.....	7
LOWER DOOR SUPPORT COMPONENTS.....	8
EXTERIOR COMPONENTS & DOORS .....	9
INTERIOR COMPONENTS.....	10
ACCESSORIES.....	11

# SSM CONTROL COMPONENTS



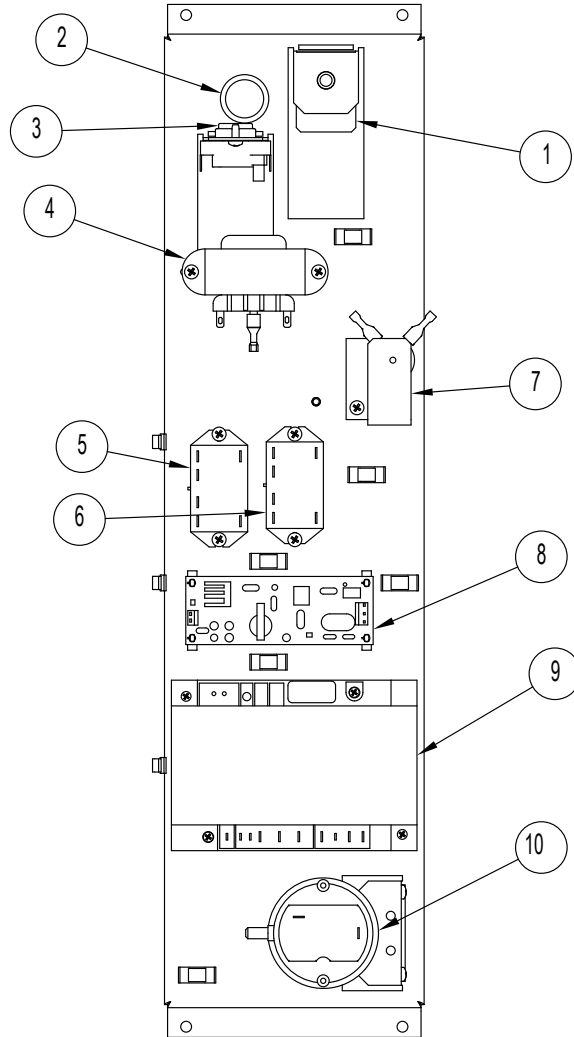
Ref. No.	Part No.	Description
1	57923	PANEL AND DECAL
2	6497	SWITCH, ROCKER, SPST
3	6503	SWITCH, ROCKER, DPDT
4	57532	SWITCH, ROCKER, DPDT
5	18265	INDICATOR LIGHT
6	16686	KNOB
7	36376	SWITCH, GAS ON/OFF
8	33152	TEMP CONTROL, 200-500
9	18225	TIMER, 60 MIN
	57651	CONTROL MODULE, COMPLETE

# BURNER COMPONENTS



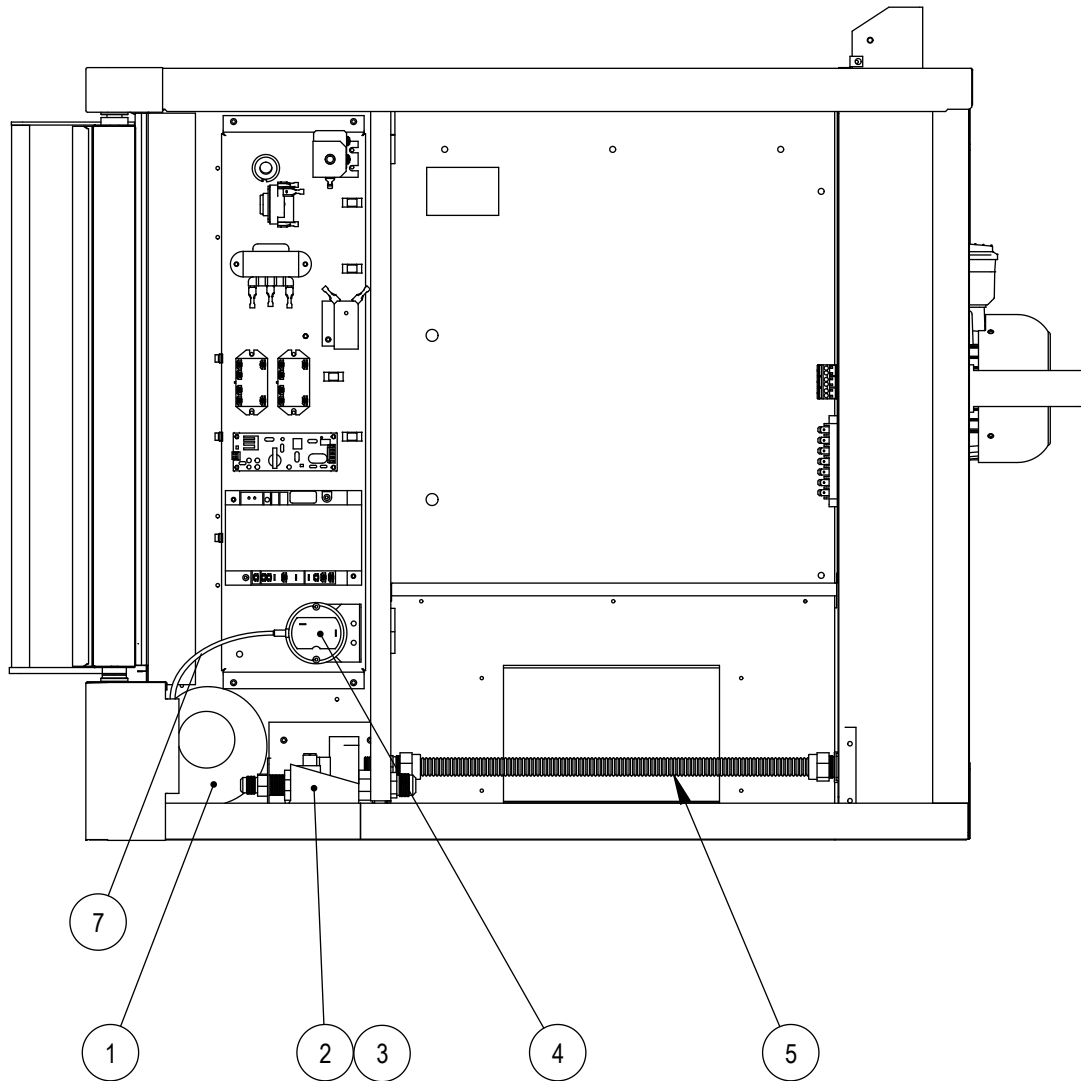
<b>Ref. No.</b>	<b>Part No.</b>	<b>Description</b>
	54908	BURNER ASSY., NATURAL GAS
	55032	BURNER ASSY., LP GAS
	57841	CONVERSION KIT NATURAL TO LP
	58226	CONVERSION KIT LP TO NATURAL
1	54911	ELECTRODE MOUNTING BRACKET
2	54327	BURNER WIRING CONNECTOR
3	59254	ELECTRODE, FLAME SENSE
4	59255	ELECTRODE, SPARK
5	54935	FLEX HOSE
6	54910	TURBULATOR
	19677	FLAME SENSE WIRE, 36" WHITE
	58028	IGNITION WIRE

# ELECTRICAL PANEL COMPONENTS



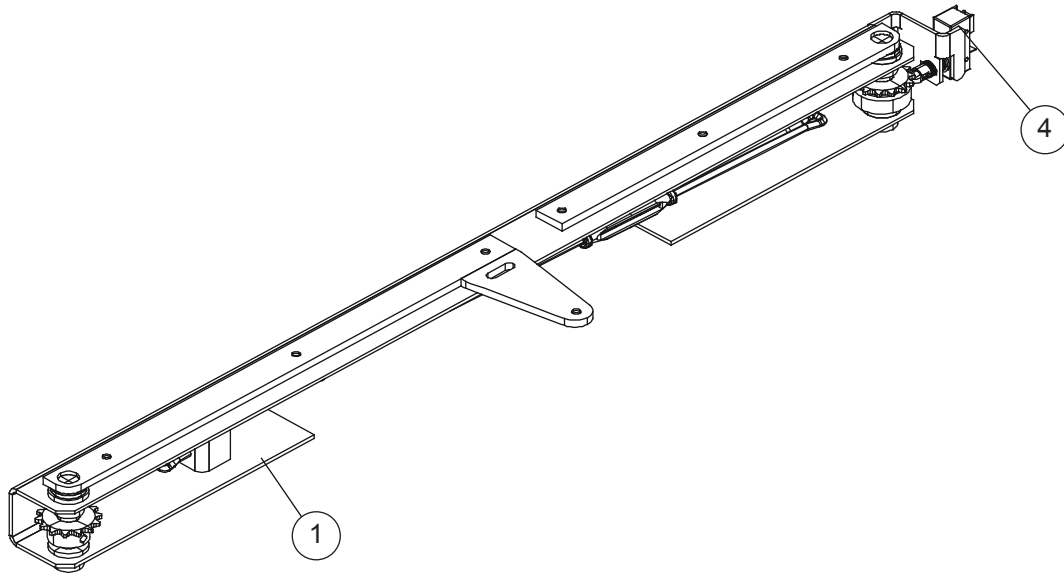
<b>Ref. No.</b>	<b>Part No.</b>	<b>Description</b>
1	58025	THERMOSTAT, HI LIMIT
2	19087	GROMMET
3	36755	THERMAL SWITCH
4	20355	TRANSFORMER, 115 TO 24 V, 30VA
5	36603	RELAY, 120V K2
6	37058	RELAY, 24V K1 - HEAT
7	20349	BUZZER, 120V
8	54607	POWER SUPPLY, 15W-12VDC
9	54388	CONTROL, IGNITION
10	54802	PRESSURE SWITCH
	M9705	TUBING, PRESSURE SWITCH (BY THE INCH)

# INTERIOR HEAT SYSTEM COMPONENTS



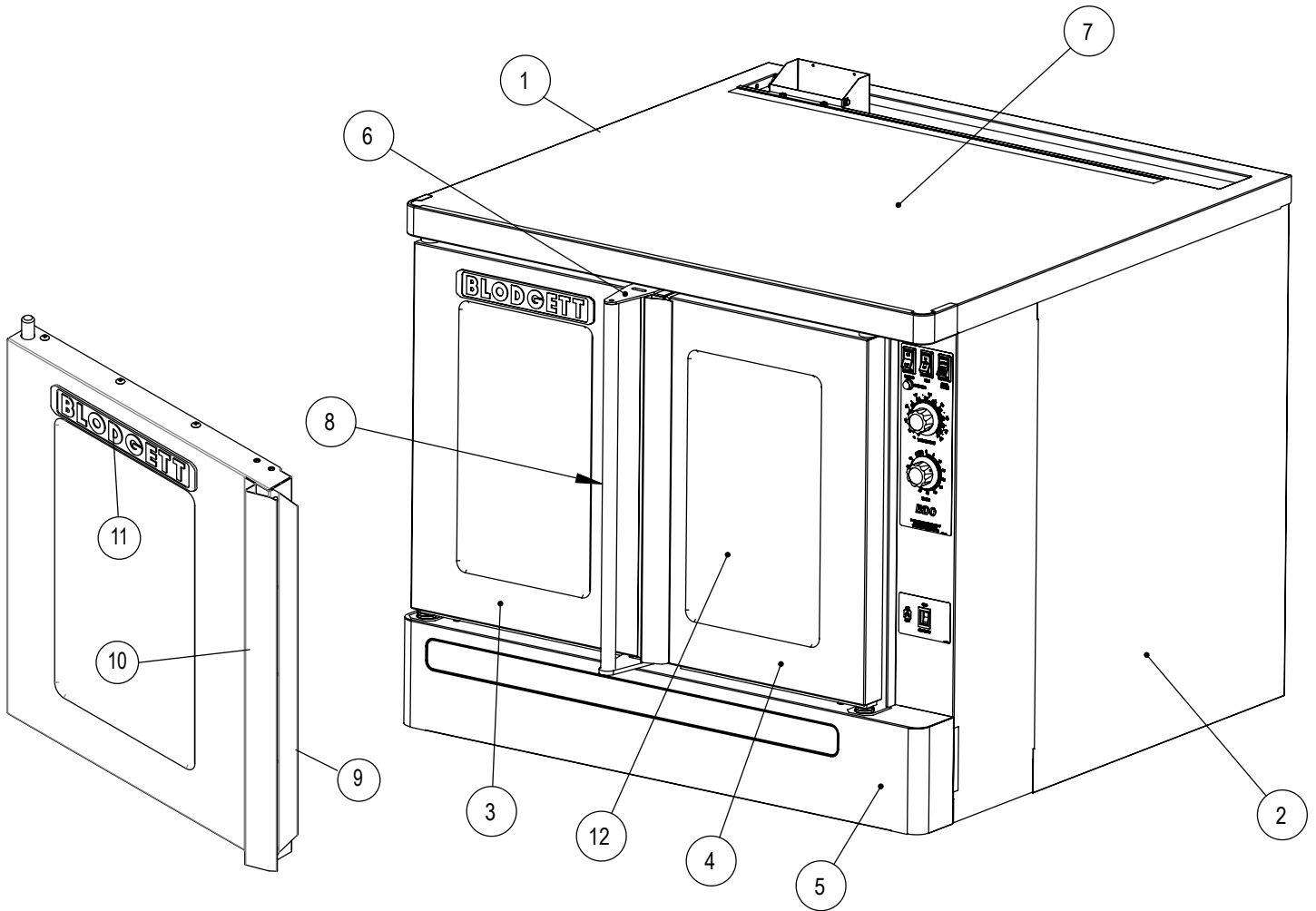
<b>Ref. No.</b>	<b>Part No.</b>	<b>Description</b>
1	54897	BLOWER, COMBUSTION, 12V DC
2	54938	GAS VALVE ASSY, NATURAL
3	54939	GAS VALVE ASSY, LP
4	54802	PRESSURE SWITCH
5	55070	FLEX TUBE, GAS
7	M9705	TUBING, PRESSURE SWITCH (BY THE INCH)

# LOWER DOOR SUPPORT COMPONENTS



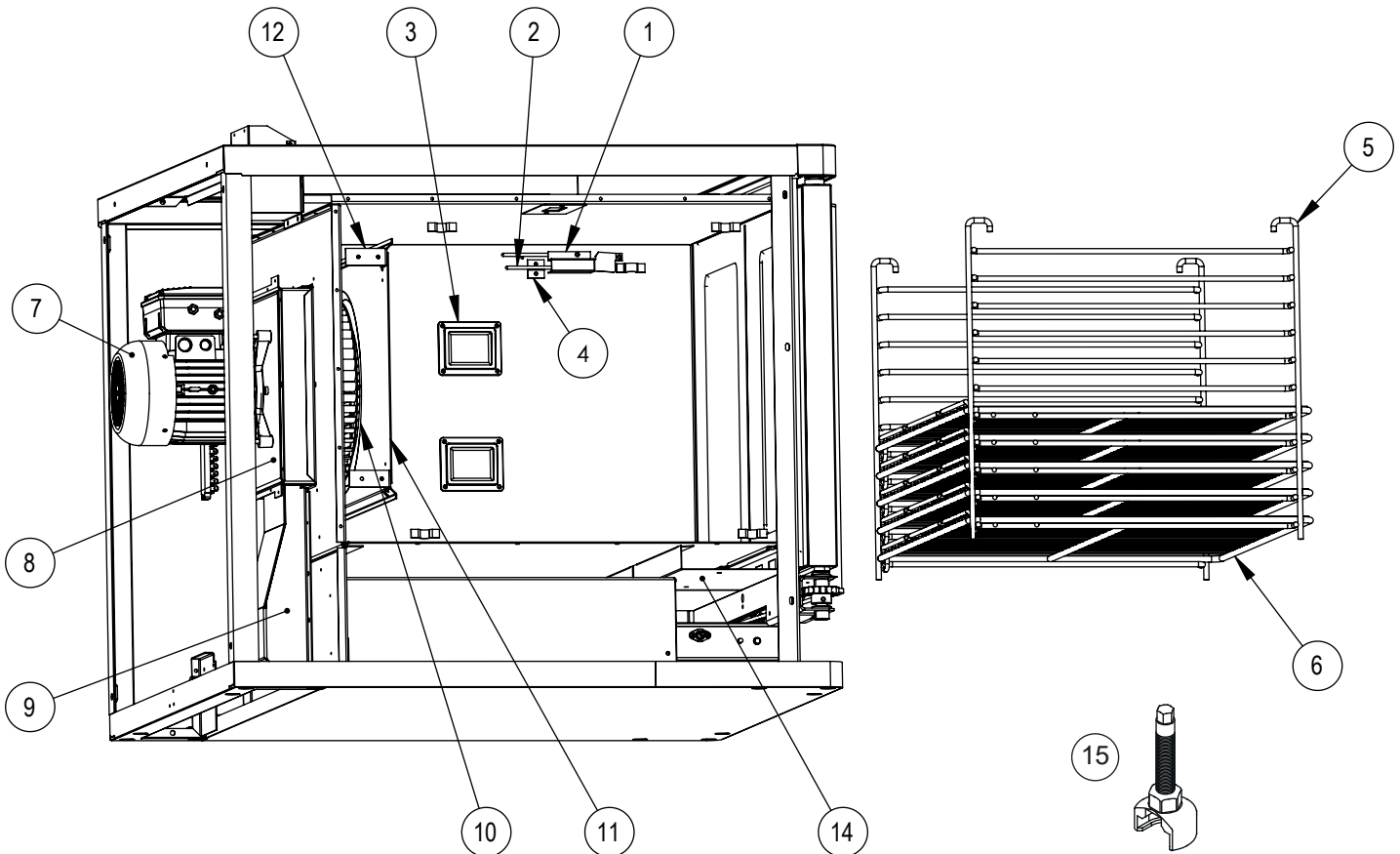
<b>Ref. No.</b>	<b>Part No.</b>	<b>Description</b>
1	37003	Lower Door Support Assy
	<b>NOTE:</b>	<b>Lower Door Support Assy includes the hinge pins, arms, chain &amp; turnbuckles, sprocket assy, and cam assy.</b>
4	35193	Microswitch

# EXTERIOR COMPONENTS & DOORS



<b>Ref. No.</b>	<b>Part No.</b>	<b>Description</b>
1	37205	BODYSIDE, LH
2	36407	BODYSIDE, RH
3	20804	LEFT HAND GLASS DOOR
3	20806	LEFT HAND SOLID DOOR
4	20803	RIGHT HAND GLASS DOOR
4	20805	RIGHT HAND SOLID DOOR
5	37202	COMBUSTION COVER
6	36793	DOOR HANDLE TOP PLATE
7	36621	BODYTOP
8	21097	DOOR HANDLE WITH HARDWARE
9	36606	PRESSURE LOCK (ATTACHES TO SIDE OF DOOR)
10	17311	CENTER DOOR TRIM
11	16470	NAMEPLATE
12	9036	WINDOW ASSEMBLY, DROP IN (10-1/8 X 17-1/8)
	9035	WINDOW TOOL FOR INSTALLATION AND REMOVAL OF GLASS
	90004	BRONZE DOOR BEARINGS, SET OF 2
	36876	PERIMETER GASKET

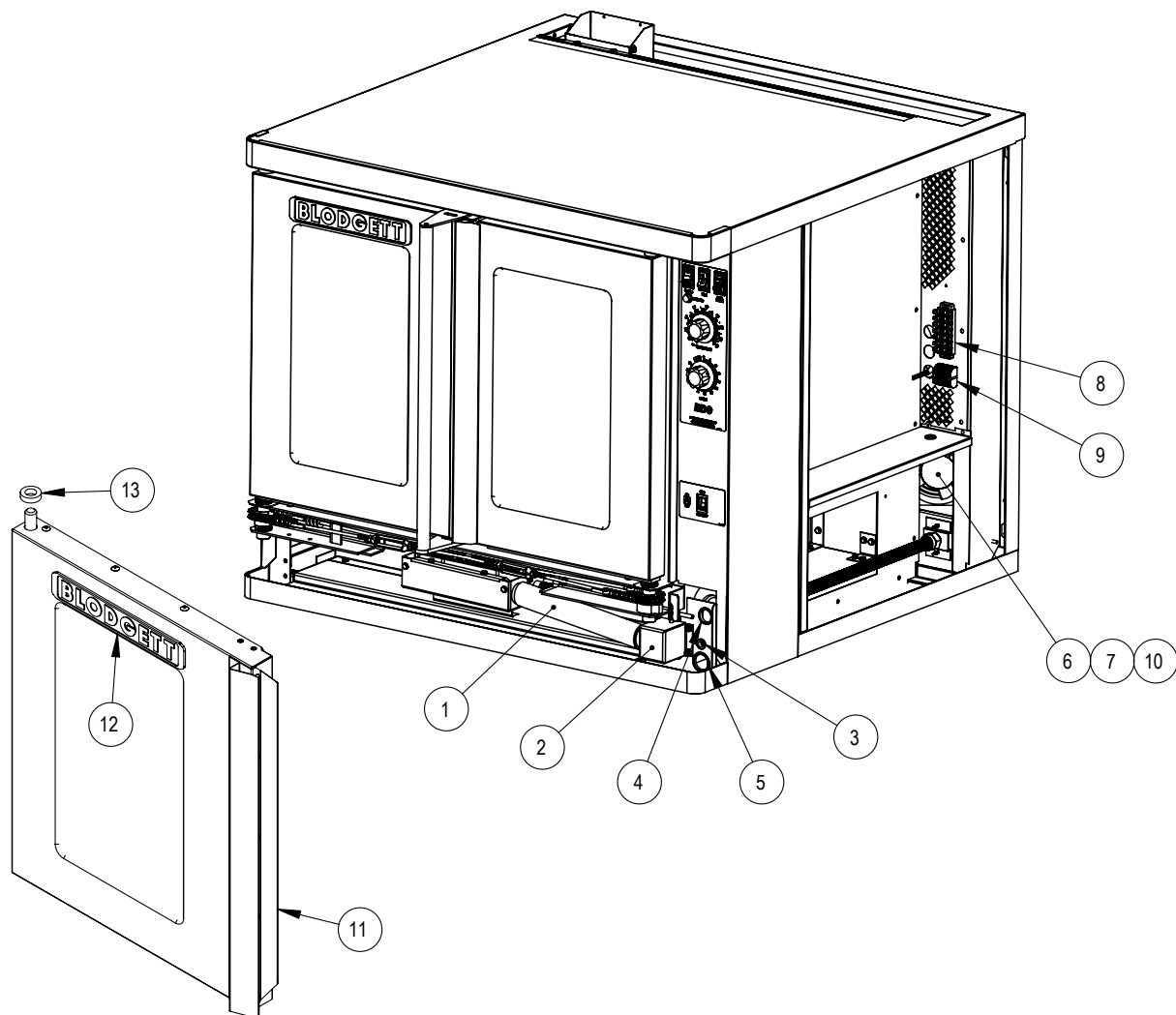
# INTERIOR COMPONENTS



<b>Ref. No.</b>	<b>Part No.</b>	<b>Description</b>
1	38673	TEMPERATURE PROBE GUARD
2	18588	100K THERMISTOR PROBE
3	55607	LIGHT, HALOGEN, 40W 120V
4	19751	PROBE CLIP
5	19081	RACK SUPPORT KIT (SET OF 2)
6	18768	OVEN RACKS QTY 5 PER OVEN
7	56966	MOTOR, 3/4 HP
8	53771	MOTOR PANEL MOUNT
9	53817	BURNER BOX BACK

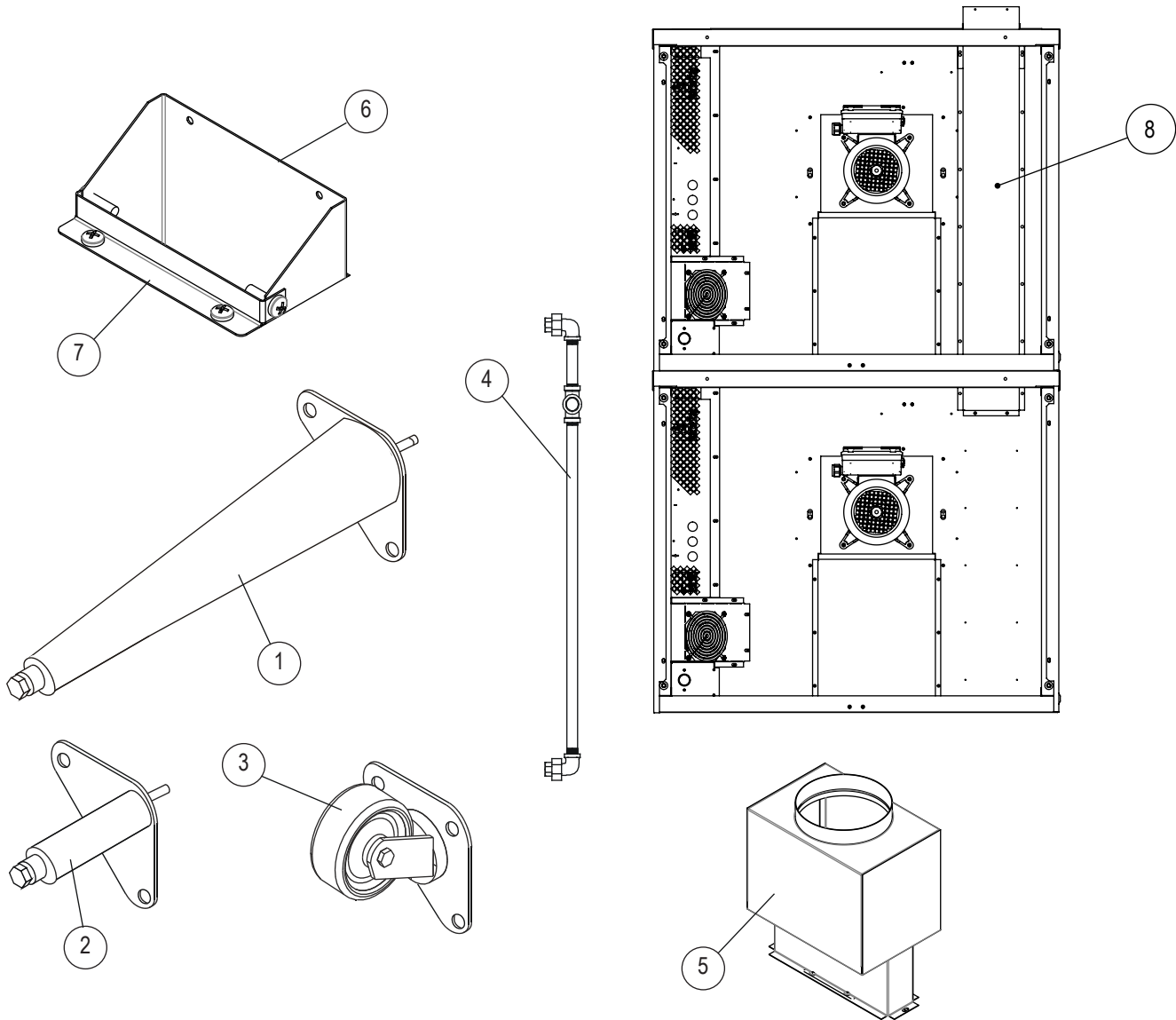
<b>Ref. No.</b>	<b>Part No.</b>	<b>Description</b>
10	55346	BLOWER WHEEL
11	51673	OVEN CAVITY BAFFLE
12	8646	BAFFLE SUPPORT KIT (SET OF 4)
14	55213	INSULATION RETAINER, LINER BOTTOM
15	33147	WHEEL PULLER, USED TO REMOVE BLOWER WHEEL

# INTERIOR COMPONENTS



<b>Ref. No.</b>	<b>Part No.</b>	<b>Description</b>
1	39989	AIR TUBE (BY THE INCH)
2	54896	AIR BOX ASSEMBLY
3	19086	GROMMET, .375 I.D.
4	19087	GROMMET, .875 I.D.
5	55597	GROMMET, 1.125 I.D.
6	M0570	COOLING FAN
7	39100	FAN HOUSING
8	39108	7 POSITION TERMINAL BLOCK
9	38605	3 POSITION TERMINAL BLOCK W/GROUND
10	M0571	FAN GUARD
11	17311	CENTER DOOR TRIM
12	16470	NAMEPLATE
13	16657	BUSHING, DOOR SLEEVE, UPPER

# ACCESSORIES



<b>Ref. No.</b>	<b>Part No.</b>	<b>Description</b>
	33196	SEISMIC LEGS, 6" SET OF 4
1	8598	LEGS, 25" W/FEET SET OF 4
2	8600	LEGS, 6" SET OF 4
	16002	CASTERS, FOR SGL OVEN
3	5779	CASTERS, PLATE, FOR DBL OVEN
	19528	CASTERS, LOW PROFILE, FOR DBL OVEN
4	35048	BACKPIPE, DBL
5	58012	DRAFT HOOD ASSY
6	57622	FLUE BOX
7	57646	FLUE BOX GUARD
8	57940	VENTING/STACKING KIT FOR DOUBLE STACK OVENS
	58013	VENTING KIT FOR SINGLE OVENS
	58338	STACKING KIT, BDO-100-G-ES ON DFG-100, ZEPHAIRE-240G, ZEPHAIRE-100G OR SHO-100G
	58339	STACKING KIT, BDO-100-G-ES ON DFG-200, ZEPHAIRE-G OR ZEPHAIRE-200G