

# Glass Froster / Plate Chiller

SKU: 12000-797      70000-879      12000-796



## Consistent Cooling Performance for Glassware and Plates

Featuring spacious storage for chilling salad plates and drink glasses, these units are perfect for restaurants aiming to preserve ideal serving conditions for cold dishes and beverages.

### FEATURES:

- Ample interior space
- Stainless steel sliding door allows easy access and comes with a lock to prevent tampering
- Digital temperature controller makes adjustments easy
- Easy service access to coils

**2 YEARS**  
WARRANTY  
PARTS & LABOUR  
**5 YEARS ONLY**  
ON COMPRESSOR

NEMA  
5 - 15P  
125VAC / 15 AMP

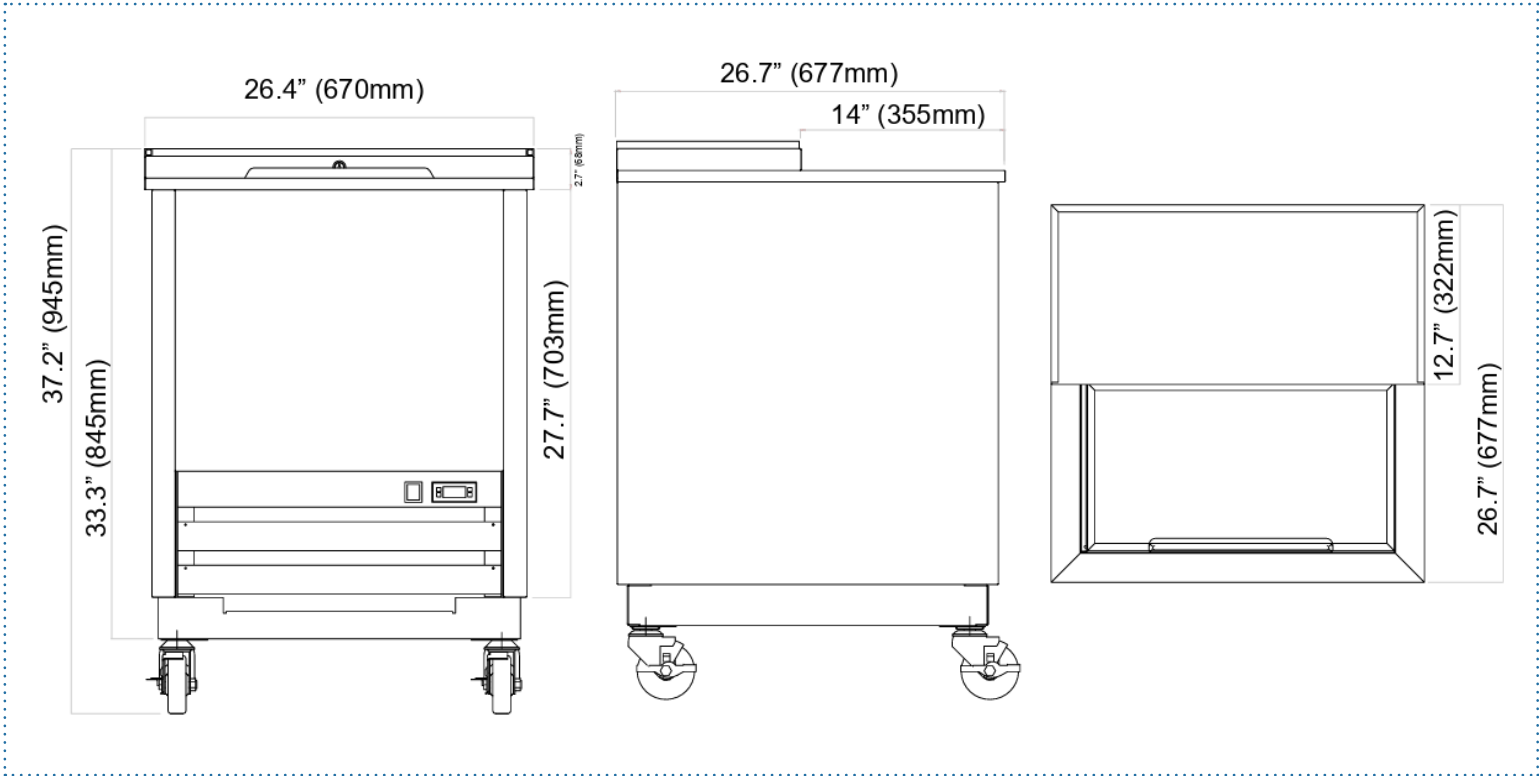
ETL  
US  
Intertek

ETL  
CANADA  
Intertek

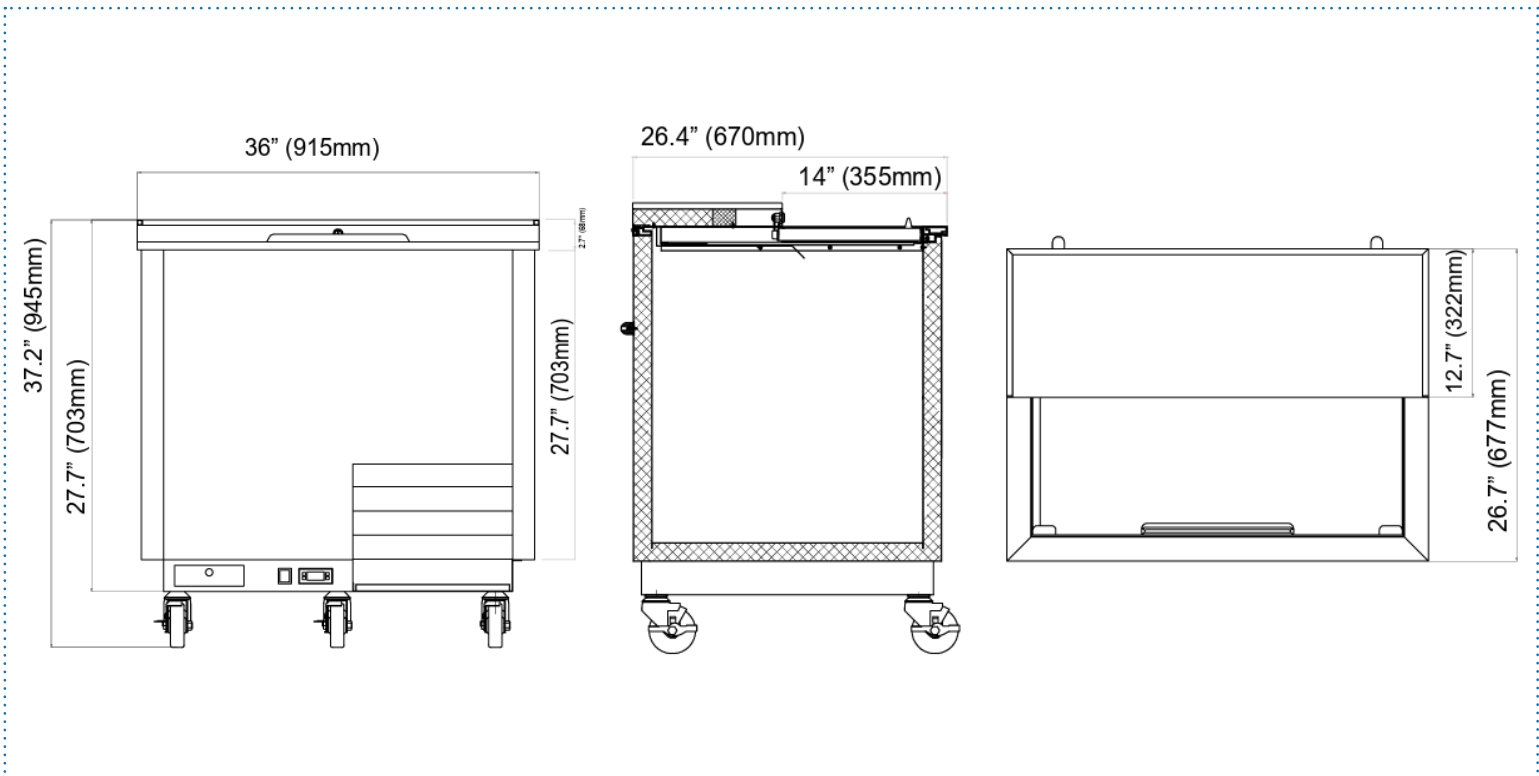
Made in China

TECHNICAL SPECIFICATION			
SKU	12000-797	70000-879	12000-796
Features	26"	36"	50"
Number of Doors	1		2
Temperature Range	-17.7°C to -15°C   0°F to 5°F		
Refrigerant	R290		
Isolation Material	Cyclopentane		
Defrost	Automatic		
Cooling System	Forced Air / Ventilated		
Capacity: (8" Mugs)	90	165	250
Capacity: (10 oz. Steins)	85	155	240
Internal Net Volume	150L   5.3 cu.ft.	240L   8.5 cu.ft.	400L   14.2 cu.ft.
Number of Shelves	2	5	
Power	1/5 HP	1/3 HP	1/4+ HP
Electricals	115V / 60Hz / 1Ph		
Net Dimensions (WDH)	26.4" x 26.7" x 34.2" 670 x 677 x 869 mm	36" x 26.7" x 34.2" 119 x 677 x 869 mm	49.5" x 26.7" x 34.2" 1257 x 677 x 869 mm
Net Weight	154 lb.   70 kg.	158 lb.   71.6 kg.	220 lb.   100 kg.
Gross Dimensions (WDH)	32.7" x 32.7" x 41.8" 830 x 830 x 1060 mm	41.5" x 32.7" x 41.8" 1270 x 830 x 1060 mm	55.9" x 32.7" x 41.8" 1420 x 830 x 1060 mm
Gross Weight	176 lb.   80 kg.	198 lb.   90 kg.	253 lb.   115 kg.

**TECHNICAL DRAWING: 12000-797**



**TECHNICAL DRAWING: 70000-879**



**TECHNICAL DRAWING: 12000-796**

