



SERVING THE FOOD INDUSTRY SINCE 1951

## Battery Powered Rechargeable LED Table Lamps Muskoka / Laurentian

ITEM:	48283	48505	48507
	48284	48506	48508

### Battery Powered LED Table Lamps with Elegant Design and Long Lasting Performance

With a large battery capacity, these LED lamps can operate for a full work day on a single charge overnight. Touch based controls and stepless dimming ensures optimal lighting for every occasion.



Telephone: 1-800-465-0234

Fax: (905) 607-0234

Email: [sales@omcan.com](mailto:sales@omcan.com)

Website: [www.omcan.com](http://www.omcan.com)

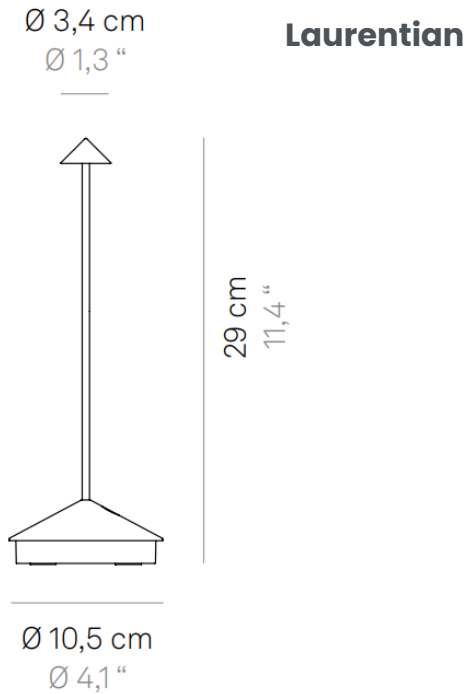


Authorized Dealer



Made in China

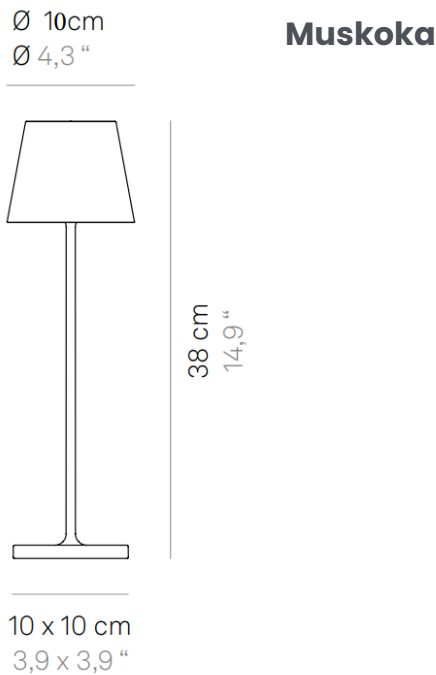
## TECHNICAL DRAWING



## TECHNICAL SPECIFICATION

Item	48506/48283/48505
Material	Aluminum
Color Temperature	3000K/6000K
Battery	3.7V/1200mA
Rated Power	2.2W
Estimated Charging Time	6 Hr
Operational Time (Full Charge)	10-13 Hr
Average	1
Plug Type	USB
Net Dimensions (DiaxH)	5.9"x 11.4" (150 x 290 mm)
Gross Dimensions	4.5."x4.5"x7.9" (115 x 115 x 200 mm)
Net Weight	1 lb. (450 g)
Gross Weight	1.2 lb. (525 g)

## TECHNICAL DRAWING



## TECHNICAL SPECIFICATION

Item	48284/48507/48508
Material	Aluminum
Color Temperature	3000K/6000K
Battery	5V/3600mA
Rated Power	3.5W
Estimated Charging Time	4 Hr
Operational Time (Full Charge)	10-15 Hr
Average	1
Plug Type	USB
Net Dimensions (DiaxH)	3.9"x 15" (100 x 380 mm)
Gross Dimensions	5.9" x 5.1" x 16.7" (150 x 130 x 425 mm)
Net Weight	1.6 lb. (724 g)
Gross Weight	1.9 lb. (850 g)